



1/4 HP SUBMERSIBLE WATER PUMP

Model 98342

SET UP AND OPERATING INSTRUCTIONS



Distributed exclusively by Harbor Freight Tools®.

3491 Mission Oaks Blvd., Camarillo, CA 93011

Visit our website at: <http://www.harborfreight.com>



**Read this material before using this product.
Failure to do so can result in serious injury.
SAVE THIS MANUAL.**

Copyright© 2008 by Harbor Freight Tools®. All rights reserved. No portion of this manual or any artwork contained herein may be reproduced in any shape or form without the express written consent of Harbor Freight Tools. Diagrams within this manual may not be drawn proportionally. Due to continuing improvements, actual product may differ slightly from the product described herein. Tools required for assembly and service may not be included.

For technical questions or replacement parts, please call 1-800-444-3353.

Before start-up, note the following:

The pump can be connected to any shock-proof plug which has been installed according to regulations. The plug must have a supply voltage of 115 V~ at 60 Hz.

CAUTION

This pump has been evaluated for use with water only.

▲WARNING

IMPORTANT! For your own safety – before starting to run the pump, please have the following items checked by an expert:

1. Risk of electric shock – This pump is supplied with a grounding conductor and grounding-type attachment plug. To reduce the risk of electric shock, connect only to a properly grounded, grounding-type receptacle.
2. Risk of electric shock – This pump has not been investigated for use in swimming pool areas.
3. The electrical connections must be protected from moisture.
4. If there is danger of flooding, the electrical connections must be taken to higher ground.
5. Circulation of caustic fluids, as well as the circulation of abrasive materials, must be avoided at all costs.
6. The pump must be protected from frost.
7. The pump must be protected from running dry.

8. Access by children should also be prevented with appropriate measures.
9. **WARNING:** Handling the Power Cord on this product will expose you to lead, a chemical known to the State of California to cause cancer, and birth defects or other reproductive harm. Wash hands after handling. (California Health & Safety Code § 25249.5, et seq.)
10. The warnings, precautions, and instructions discussed in this instruction manual cannot cover all possible conditions and situations that may occur. It must be understood by the operator that common sense and caution are factors which cannot be built into this product, but must be supplied by the operator.

Fluid Type

The Pump is designed for use with water with a maximum temperature of 95° F (35°C). Do not use the pump for other fluids, especially not fuels, cleaning fluids, or other chemical products.

SPECIFICATIONS

Pump Applications	Removes Clear Water Down to 1/8" of Surface
Electrical Requirements	115 V~ / 60 Hz / 1/4 HP 2.6 A (Start) / 2.5 A (Run)
Power Cord	18AWG X 3C - SJTW
Maximum Capacity	1400 GPH (Approx. 23 GPM)
Maximum Delivery Height	26.3 Ft.
Discharge Size	1" Pipe with 3/4"-11.5 TPI Garden Hose Adapter

UNPACKING

When unpacking, check to make sure that the item is intact and undamaged. If any parts are missing or broken, please call Harbor Freight Tools at the number shown on the cover of this manual as soon as possible.

INSTALLATION

The submersible motor pump must be installed in a stationary position with either:

- a. A fixed pipeline or
- b. A flexible hose pipe.

Please note!

1. Do not install the pump by suspending it unsupported from its delivery pipe or power cord. The pump must be suspended from the handle or be placed on the bottom of the shaft. To ensure that the pump works properly, keep the bottom of the shaft free from sludge and dirt of all kinds.
2. If the water level sinks too low, any sludge in the shaft will dry out and stop the pump from starting. To help ensure the pump will start as required, check the pump regularly with start-up tests.
3. The pump must be installed with an automatic float switch (not included) to prevent running dry.

Power Supply

1. The pump is equipped with a shock-proof plug according to regulations. The pump is designed to be connected to 115 V~, 60 Hz safety socket.

2. Make sure that the socket is sufficiently secured and is in excellent condition.
3. When the plug is inserted into the socket the pump will be on standby.

WARNING! If the power cord or plug is damaged, do not use the pump. The power cord or plug may only be repaired by a certified electrician.

Areas of use

1. This pump is designed for use as a basement pump. When installed in a shaft, this pump provides some protection from basement flooding.
2. This pump can also be used to transfer water (e.g. household, farming, plumbing).

OPERATION

After reading these instructions, consider the following points before starting the pump:

1. Verify that the pump rests on the floor of the shaft, if it is not suspended by the handle.
2. Verify that the delivery pipe is properly connected.
3. Verify that the electrical connection is 115 V~, 60 Hz.
4. Verify that the electrical socket is in good condition.
5. Verify that water and moisture cannot get near the power supply socket.
6. Verify that the pump is installed so as to prevent running dry.

MAINTENANCE

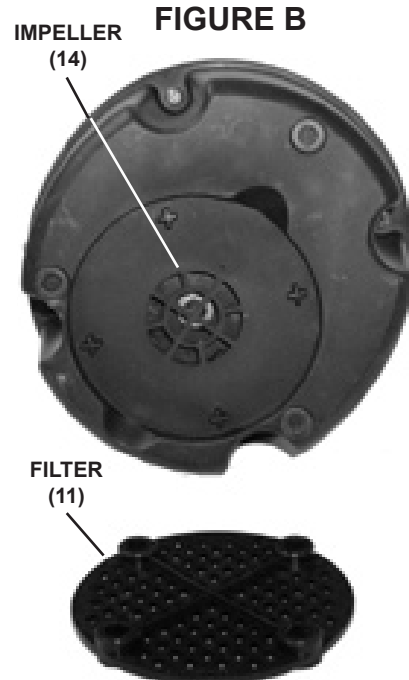
⚠ WARNING TO PREVENT SERIOUS INJURY FROM ACCIDENTAL OPERATION:
Unplug the Pump from its electrical outlet before performing any inspection, maintenance, or cleaning procedures.

If the pump is moved during operation, flush it out with clean water after every use.

Quarterly Maintenance

The below maintenance must be performed at least once every 3 months under optimal conditions. For frequent use, or dirty areas, more frequent maintenance is required.

1. Clean sludge and debris from the bottom of the shaft.
2. Rinse the housing off with clean water.
3. Clean fibers from inside the pump housing with a pressure washer (not included).
4. If the pump housing cannot be cleaned from the outside, it must be thoroughly cleaned. **Make sure the power cord is unplugged before maintenance.** Dismantle the bottom part of the pump as follows:



- a. Remove the Filter (11) from the pump case.
- b. Clean the impeller with clean water.
- c. To prevent damage, do not rest the pump on the impeller or pry against the impeller.
- d. Reassemble in reverse order.

Troubleshooting

Problem	Possible Causes	Possible Solutions
Pump runs, but will not deliver any water.	<ol style="list-style-type: none"> 1. Filter and/or impeller clogged. 2. When starting, the pump water height (1/8") falls below the minimum water level. 3. Low line voltage. 4. Optional check valve stuck or installed backwards. 	<ol style="list-style-type: none"> 1. Remove filter. Clean out dirt and debris from filter and impeller. Then replace Filter. 2. There must be at least 1/8" deep water for the Pump to operate properly. 3. Consult with an electrician. 4. Remove and examine check valve.
Pump won't start or run.	<ol style="list-style-type: none"> 1. Check power connections and circuits/fuses. 2. Water level too low. 3. Filter and/or impeller clogged. 4. Defective motor. 	<ol style="list-style-type: none"> 1. Consult with an electrician. 2. Allow water level to rise above 1/8", or move Pump to a lower location. 3. Remove filter. Clean out dirt and debris from filter and impeller. Then replace filter. 4. Have a qualified service technician repair or replace.
Excessive noise or vibration.	<ol style="list-style-type: none"> 1. Worn bearings. 2. Debris in impeller. 3. Discharge garden hose restricted. 	<ol style="list-style-type: none"> 1. Have a qualified service technician repair or replace. 2. Remove filter. Clean impeller. Then replace filter. 3. Clean Pump and discharge garden hose.
Pump starts and stops too frequently.	<ol style="list-style-type: none"> 1. Water temperature too high. 2. Back flow of water from discharge garden hose. 	<ol style="list-style-type: none"> 1. Do not exceed temperatures above 95° Fahrenheit. 2. Install or inspect optional check valve.



Follow all safety precautions whenever diagnosing or servicing the tool. Disconnect power supply before service.

PLEASE READ THE FOLLOWING CAREFULLY

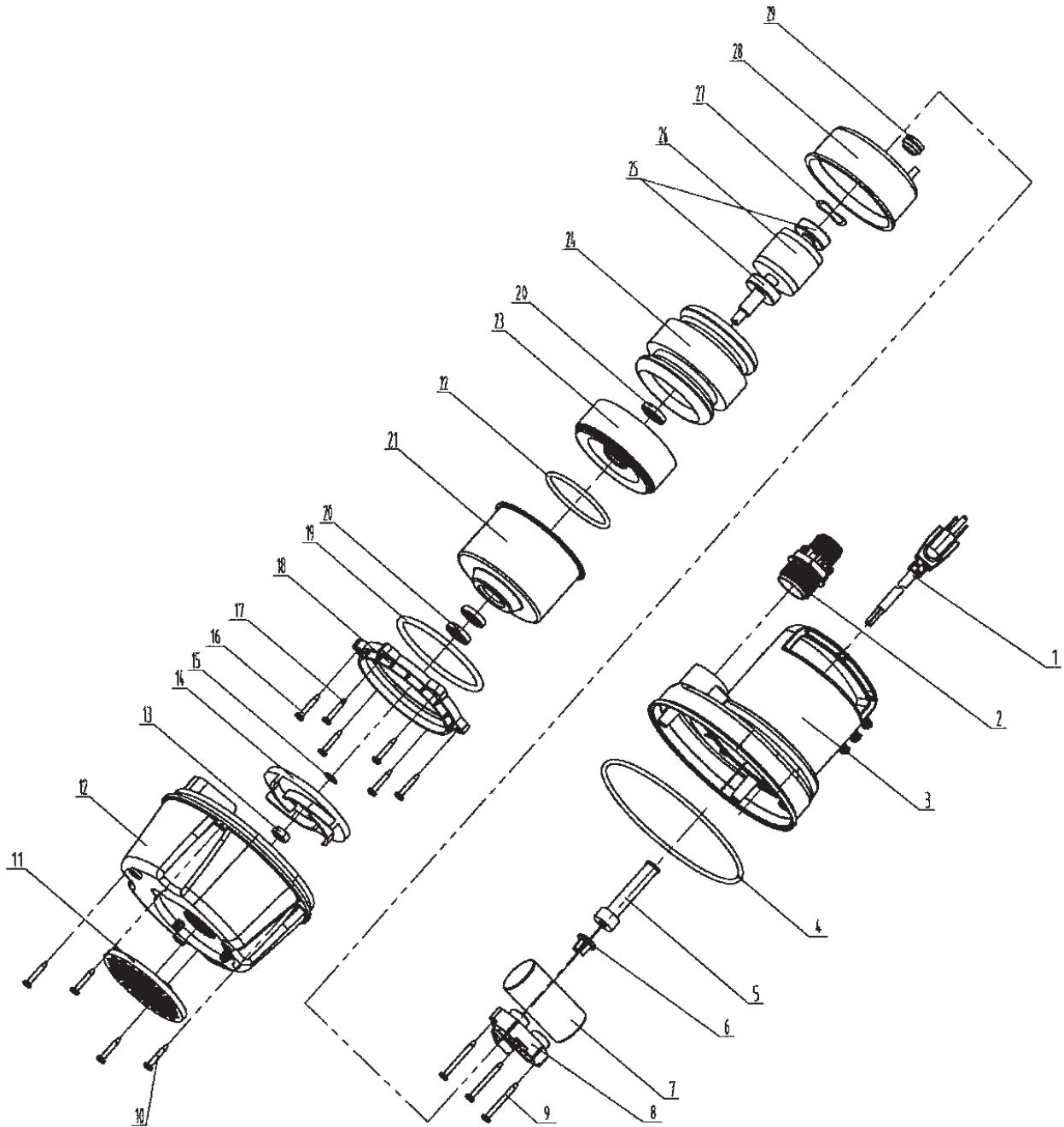
THE MANUFACTURER AND/OR DISTRIBUTOR HAS PROVIDED THE PARTS LIST AND ASSEMBLY DIAGRAM IN THIS MANUAL AS A REFERENCE TOOL ONLY. NEITHER THE MANUFACTURER OR DISTRIBUTOR MAKES ANY REPRESENTATION OR WARRANTY OF ANY KIND TO THE BUYER THAT HE OR SHE IS QUALIFIED TO MAKE ANY REPAIRS TO THE PRODUCT, OR THAT HE OR SHE IS QUALIFIED TO REPLACE ANY PARTS OF THE PRODUCT. IN FACT, THE MANUFACTURER AND/OR DISTRIBUTOR EXPRESSLY STATES THAT ALL REPAIRS AND PARTS REPLACEMENTS SHOULD BE UNDERTAKEN BY CERTIFIED AND LICENSED TECHNICIANS, AND NOT BY THE BUYER. THE BUYER ASSUMES ALL RISK AND LIABILITY ARISING OUT OF HIS OR HER REPAIRS TO THE ORIGINAL PRODUCT OR REPLACEMENT PARTS THERETO, OR ARISING OUT OF HIS OR HER INSTALLATION OF REPLACEMENT PARTS THERETO.

PARTS LIST

Part	Description	Qty.
1	Power Cord & Plug	1
2	Water Outlet	1
3	Pump Shell	1
4	O-Ring	1
5	Cable Guard	1
6	Cable Compaction Buckle	1
7	Capacitor	1
8	Cable Compaction Board	1
9	Screw	3
10	Screw	4
11	Filter	1
12	Base	1
13	Nut	1
14	Impeller	1
15	Washer	1

Part	Description	Qty.
16	Screw	5
17	Screw	1
18	Hold Down Ring	1
19	O-Ring	1
20	Oil Seal	3
21	Motor Foreside	1
22	O-Ring	1
23	Motor Lining	1
24	Stator	1
25	Bearing	2
26	Rotor	1
27	Washer	1
28	Back Cover	1
29	Wire Jacket	1

ASSEMBLY DIAGRAM



LIMITED 1 YEAR / 90 DAY WARRANTY

Harbor Freight Tools Co. makes every effort to assure that its products meet high quality and durability standards, and warrants to the original purchaser that for a period of ninety days from date of purchase that the engine/motor, the belts (if so equipped), and the blades (if so equipped) are free of defects in materials and workmanship. Harbor Freight Tools also warrants to the original purchaser, for a period of one year from date of purchase, that all other parts and components of the product are free from defects in materials and workmanship (90 days if used by a professional contractor or if used as rental equipment). This warranty does not apply to damage due directly or indirectly, to misuse, abuse, negligence or accidents, repairs or alterations outside our facilities, normal wear and tear, or to lack of maintenance. We shall in no event be liable for death, injuries to persons or property, or for incidental, contingent, special or consequential damages arising from the use of our product. Some states do not allow the exclusion or limitation of incidental or consequential damages, so the above limitation of exclusion may not apply to you. THIS WARRANTY IS EXPRESSLY IN LIEU OF ALL OTHER WARRANTIES, EXPRESS OR IMPLIED, INCLUDING THE WARRANTIES OF MERCHANTABILITY AND FITNESS.

To take advantage of this warranty, the product or part must be returned to us with transportation charges prepaid. Proof of purchase date and an explanation of the complaint must accompany the merchandise. If our inspection verifies the defect, we will either repair or replace the product at our election or we may elect to refund the purchase price if we cannot readily and quickly provide you with a replacement. We will return repaired products at our expense, but if we determine there is no defect, or that the defect resulted from causes not within the scope of our warranty, then you must bear the cost of returning the product.

This warranty gives you specific legal rights and you may also have other rights which vary from state to state.

3491 Mission Oaks Blvd. • PO Box 6009 • Camarillo, CA 93011 • (800) 444-3353

Record Product's Serial Number Here: _____

Note: If product has no serial number, record month and year of purchase instead.

Note: Some parts are listed and shown for illustration purposes only, and are not available individually as replacement parts.